

CURRENT TRANSFORMER

Model 139

Window Diameter 6.50"

Application:
Relaying and Metering

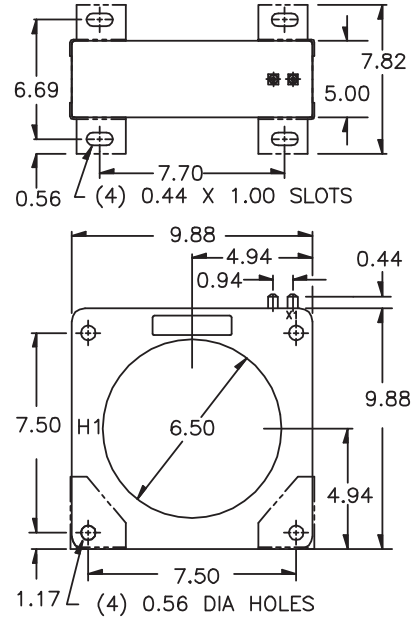
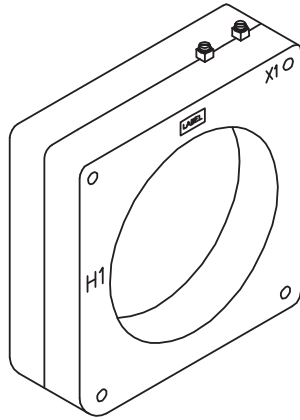
Frequency:
50 - 400 Hz

Insulation Level:
600 Volts, 10 kv BIL full wave

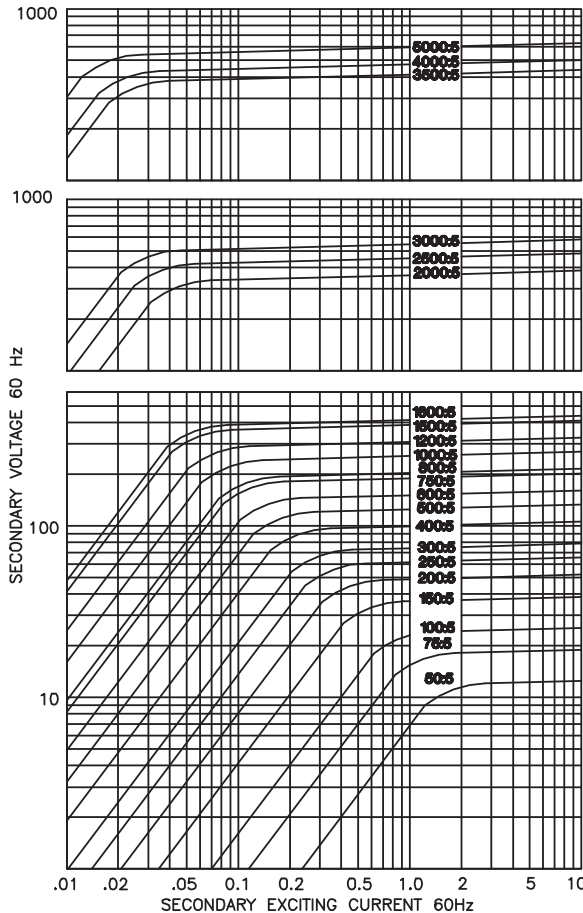


E228202

- Terminals are brass screws No. 10 - 32 UNF
□ with one flat washer and lockwasher.
- □ Multi ratios available upon request
- Order mounting bracket kit 139-CR-CL separately.
- □ Approximate weight: 40 lbs.



EXCITATION CURVE



CATALOG NUMBER	CURRENT RATIO	RELAY CLASS	ANSI METERING CLASS AT 60 Hz					SECONDARY WINDING RESISTANCE (OHMS @ 75 °C)	CONTINUOUS THERMAL RATING FACTOR	
			B0.1	B0.2	B0.5	B0.9	B1.8		@30°C	@55°C
139 - 500	50:5	C10	4.8	-	-	-	-	0.018	2.0	2.0
139 - 750	75:5	C10	2.4	4.8	-	-	-	0.027	2.0	2.0
139 - 101	100:5	C20	1.2	2.4	4.8	4.8	-	0.036	2.0	2.0
139 - 151	150:5	C20	0.6	1.2	2.4	2.4	4.8	0.053	2.0	2.0
139 - 201	200:5	C20	0.6	0.6	1.2	2.4	2.4	0.071	2.0	2.0
139 - 251	250:5	C50	0.3	0.6	1.2	1.2	2.4	0.089	2.0	2.0
139 - 301	300:5	C50	0.3	0.3	0.6	1.2	1.2	0.107	2.0	2.0
139 - 401	400:5	C50	0.3	0.3	0.3	0.6	1.2	0.142	2.0	2.0
139 - 501	500:5	C100	0.3	0.3	0.3	0.3	0.6	0.178	2.0	2.0
139 - 601	600:5	C100	0.3	0.3	0.3	0.3	0.6	0.214	2.0	2.0
139 - 751	750:5	C100	0.3	0.3	0.3	0.3	0.3	0.267	2.0	2.0
139 - 801	800:5	C100	0.3	0.3	0.3	0.3	0.3	0.285	2.0	2.0
139 - 102	1000:5	C200	0.3	0.3	0.3	0.3	0.3	0.563	1.5	1.5
139 - 122	1200:5	C200	0.3	0.3	0.3	0.3	0.3	0.676	1.5	1.33
139 - 152	1500:5	C200	0.3	0.3	0.3	0.3	0.3	0.845	1.5	1.0
139 - 162	1600:5	C200	0.3	0.3	0.3	0.3	0.3	0.901	1.5	1.0
139 - 202	2000:5	C200	0.3	0.3	0.3	0.3	0.3	0.823	1.5	1.0
139 - 252	2500:5	C200	0.3	0.3	0.3	0.3	0.3	1.029	1.5	1.0
139 - 302	3000:5	C400	0.3	0.3	0.3	0.3	0.3	1.235	1.33	1.0
139 - 352	3500:5	C200	0.3	0.3	0.3	0.3	0.3	1.352	1.0	1.0
139 - 402	4000:5	C200	0.3	0.3	0.3	0.3	0.3	1.545	1.0	0.8
139 - 502	5000:5	C400	0.3	0.3	0.3	0.3	0.3	3.025	1.0	0.8